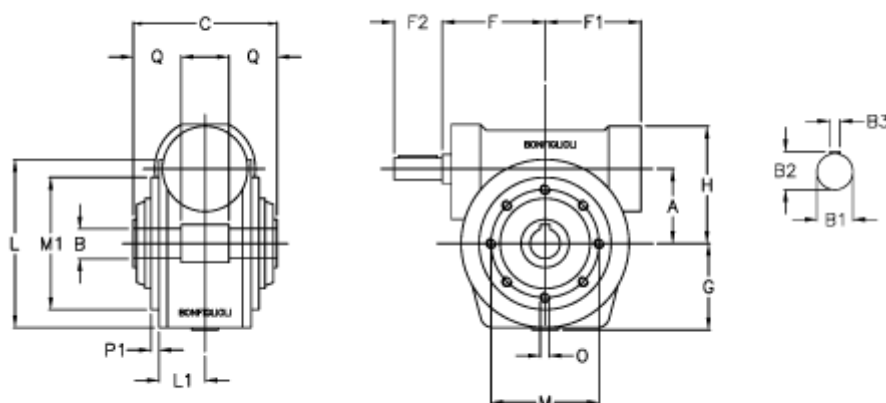


Article number: 3901150007700

Description: Worm gear with solid input shaft
VF 150P-7-HS

Measures



| | | | |
|-------------|-----------------|-----------|------------|
| a | = 150.0 | F1 = 179 | O = M14x23 |
| B | = 50 | F2 = 65 | P1 = 4.0 |
| B1 | = 35 | g = 180 | Q = 55.0 |
| B2 | = 38.0 | H = 218 | |
| B3 | = 10 | L = 250.0 | |
| C | = 175 | L1 = 83.5 | |
| Description | = VF 150P-xx-HS | m = 215 | |
| F | = 185.0 | M1 = 180 | |